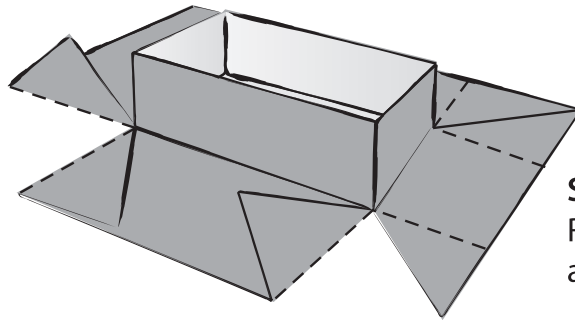


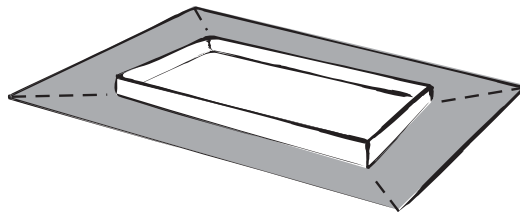
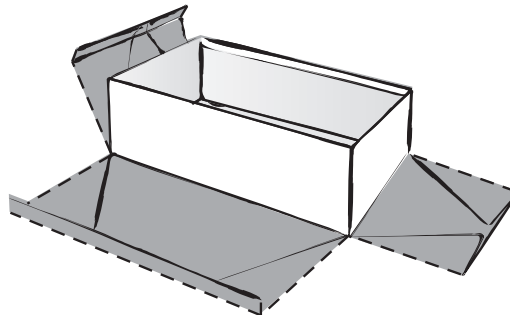
WRAPPING INSTRUCTIONS

STEP ONE:
Begin with an
empty shoebox



STEP TWO:
Remove the top
and wrap the box

STEP THREE:
Fold paper and
tape to inside
of box



STEP FOUR:
Wrap the top
of box separately,
by repeating
Steps 2 & 3



NOTE:
Please NO Ribbons or bows.
An elastic string will
be distributed